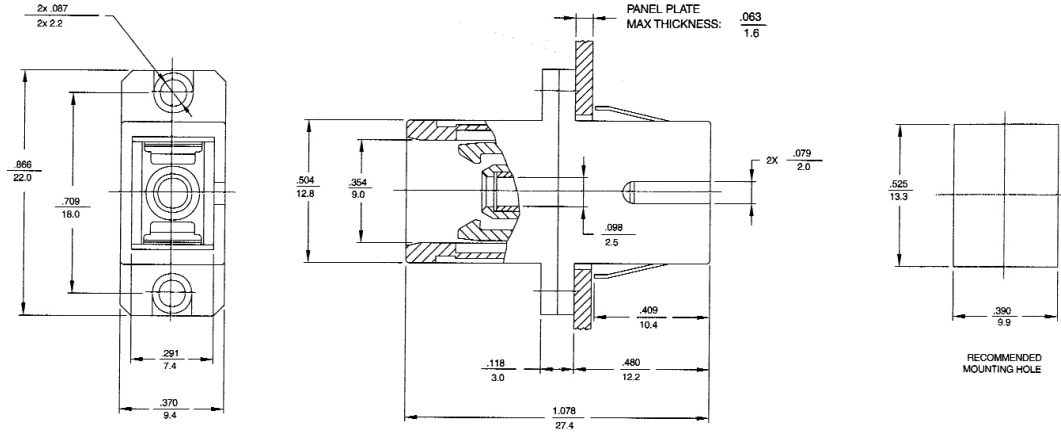
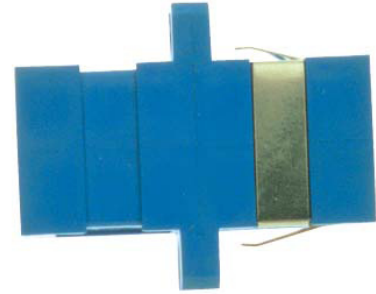


FIS SC MATING SLEEVES

The FIS SC adapters are designed for optimal performance. We offer a bronze sleeve version for PC connectors. The zirconia sleeve versions are designed for high end UPC and APC applications

Applications include CATV, Data Communications and telecommunications networks.



SPECIFICATIONS

Body	ABS Thermoplastic
Housing color	F1-3800, F13810: Blue, F1-4800: Green
Operating Temperature	-40°C to 85°C
Excess Loss	< or = .1dB: F1-3810, F1-4800 .2dB F1-3800
F1-3800	Bronze Sleeve
F1-3810	Zirconia Sleeve
F1-4800	APC - Zirconia