

FIS BUFFERED FIBER ADAPTERS

AVAILABLE STYLES

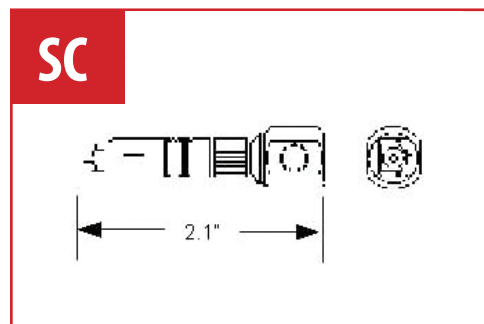
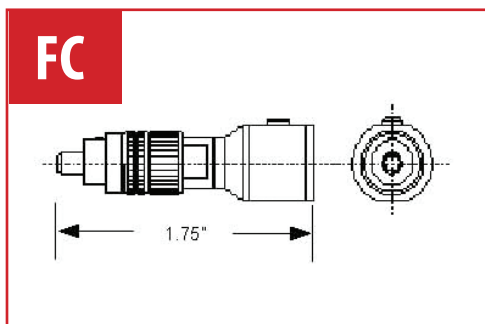
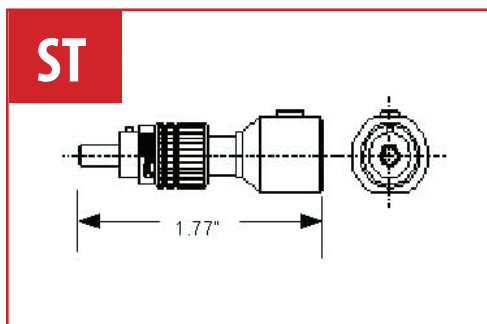
- ST
- FC
- SC

APPLICATIONS

- Optical Testing
- Repairs

Our Buffered Fiber Optic Adapters are designed to hold 900 buffer optical fiber, and are available in ST, FC, SC and SMA 905 configurations.

In addition to this particular fiber optic adapter style, we offer a wide range of other fiber optic adapters for those applications that require cable-to-cable connections. Our fiber optic adapters accommodate all standard fiber optic connectors including LC, SC, FC, ST, MU, MTRJ styles and more.



SPECIFICATIONS

125µm Cald Fiber (Singlemode or Multimode)

900µm Buffer

Optical Loss

<1 dB against a standard connector

MATERIALS

FC & ST Adapter

Ferrule	Ceramic
Connector Housing	Nickel Plated Metal
Adapter Backbody	Powder Coated Metal

SC Adapter

Ferrule	Ceramic
Connector Housing	Plastic
Adapter Backbody	Powder Coated Metal

Part Numbers

F1-8194	ST
F1-8294	FC
F1-8494	SC
F1-8394	SMA905



161 Clear Road • Oriskany, NY 13424
Tel: 315.736.2206 • Fax: 315.736.2285

YOUR FIBER-OPTIC INFORMATION SOURCE

fiberinstrumentsales.com | info@fiberinstrumentsales.com | 1.800.5000.FIS (347)

@FiberExperts

/FiberExperts

/FISTVonline